

GREASE PROBLEMS?

MANAGED SOLUTIONS

- **Design**
- **Supply**
- **Install**
- **Service**
- **Maintain**



GMG Limited

+44 (0)1926 432030

www.greasemanagement.co.uk



Specialist Drainage and Waste Contractors

Focus on Service

Environment friendly



RECURRING PROBLEMS?

- Need to optimise your grease management system, instead of jetting your drains every time they become blocked?
- Want to take a proactive approach to treatment, to solve your problems and reduce your operational costs?



We take maintenance seriously

Service schedules to suit your operation



We educate your staff

As an important part of our service



We follow up

Allowing you to focus on your business



We are registered waste contractors

With our own licensed transfer station



We work nationwide

Our service is just a call away

GMG Limited

Tel: +44 (0)1926 432030 Email: info@grease-management.co.uk
www.grease-management.co.uk



Specialist Drainage and Waste Contractors

Grease Separators

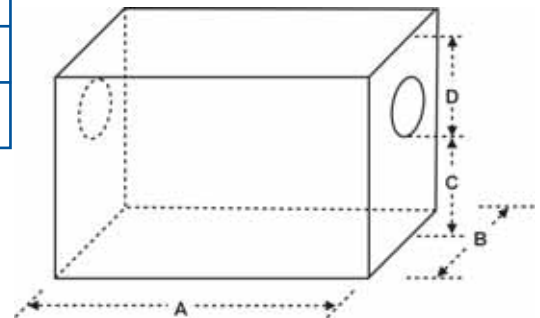
Environment friendly



GreaseMaster

- Tried and tested standard sizes, compatible with modern kitchen installations and requirements.
- Also available in custom sizes from a few litres to a few thousand litres.
- Laser cut, computer folded & fabricated in 304 grade stainless steel.
- Inlet & outlet connections compatible with \varnothing 110mm PVC, stainless & cast iron pipework.
- Can be installed as swappable cartridge traps.

	Inlet/Outlet \varnothing	A	B	C	D	Application
GM100	110mm	600	450	250	200	1 - 2 Sinks
GM120	110mm	750	500	300	200	2 - 3 Sinks
GM230	110mm	950	650	375	200	3 + Sinks



GreaseMaster

We also supply, install & maintain many other systems including, Wade, Frost, Blücher, Swan, PPD, Hunter, Hepworth, Endura, Big Dipper, Fatstrippa, Grease Guardian and Grease Shield.



Endura

GMG Limited

Tel: +44 (0)1926 432030

Email: info@greasemanagement.co.uk

www.greasemanagement.co.uk



Specialist Drainage and Waste Contractors

Dosing Systems

Environment friendly



RESTAURANTS
HOTELS
AIRPORTS
OFFICE BLOCKS
STADIA
COLLEGES
HOSPITALS
& MANY MORE



DrainDoser

DrainDoser

The DrainDoser provides a reliable drain dosing solution for smaller catering establishments.

- Easy wall mounting.
- Simple to maintain.
- Mains or Battery operation.
- PRE-PROGRAMMED, READY-TO-FIT and includes Bacti-G Bio Enzyme.
- Best used IN CONJUNCTION WITH a grease separator which acts as a point of treatment.



DrainDoser Plus

DrainDoser Plus

- Attractive Stainless Steel Cabinet provides additional protection for the DrainDoser.
- Allows the Bacti-G Bio Enzyme to be stored out of the way off the floor.

We also:

Supply, install & maintain other proprietary dosing systems including those below.



Mini Guzzler



Grease Guzzler



GreasePAK

GMG Limited

Tel: +44 (0)1926 432030

Email: info@greasemanagement.co.uk

www.greasemanagement.co.uk



Specialist Drainage and Waste Contractors

Digestion Products

Environment friendly



Part of our Digestion Products Range



Biological Digestion Products:

Are primarily dispensed into your drainage system using a dosing system. Generally these products are set to be dosed at the end of the day when flows of bleaches and surfactants, which tend to hinder digestion, are at a minimum.

We supply the digestion media on schedule, or top it up when we are on site. This leaves your kitchen staff free to concentrate on more important duties.

GMG only uses genuine manufacturers products with proprietary dosing systems.

Biological Digestion Products:

- Are powerful liquid or powder formulations that contain specially formulated bacteria which liquefy and digest animal and vegetable fats.
- Digest all oils and greases preventing them from causing blockages in drains.
- Significantly reduce the need for grease separator maintenance.
- Digest the substances which cause foul odours rather than merely masking them.
- Are completely bio-degradable and will have no detrimental effect on downstream treatment or the environment.

GMG Limited

Tel: +44 (0)1926 432030 Email: info@greasemanagement.co.uk
www.greasemanagement.co.uk



Specialist Drainage and Waste Contractors

Grease Recovery

Environment friendly



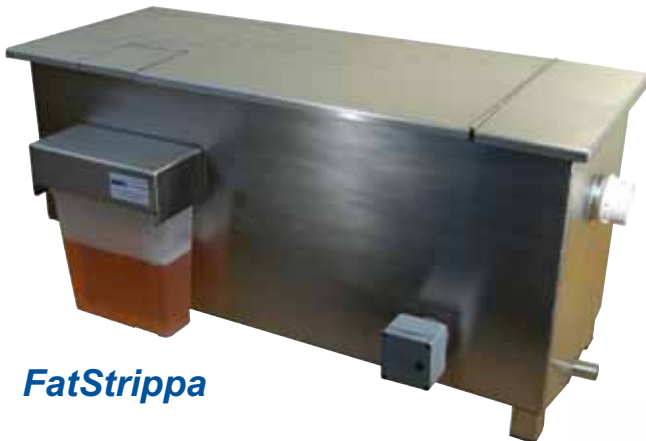
Big Dipper

Any Brand:

We supply, install & maintain all leading makes of skimming device.



Grease Guardian



FatStripper

Simple to Maintain:

These units are easily maintained by trained kitchen staff.

Easy Recycling:

Skimming devices allow easy recycling of grease and oil.

Although initial costs are higher, whole life costs are very favourable when these machines are properly serviced and maintained.

We carry a comprehensive range of spare parts.



Grease Shield

GMG Limited

Tel: +44 (0)1926 432030

Email: info@greasemanagement.co.uk

www.greasemanagement.co.uk



Specialist Drainage and Waste Contractors

Large Separators

Environment friendly



We have significant grease management experience in large scale office blocks, stadia etc. Separators are designed and manufactured in accordance with EN1825

OTHER SERVICES & PRODUCTS



- Grease separator relining & restoration
- System repair
- Pumping station desludging
- Grease trap emptying & cleaning
- Sediment interceptors
- Diagnostics & design
- Consultancy services

GMG Limited

Tel: +44 (0)1926 432030

Email: info@greasemanagement.co.uk

www.greasemanagement.co.uk



Specialist Drainage and Waste Contractors

Service Nationwide

Environment friendly



- Design
- Supply
- Install
- Service
- Maintain

**OVER 1000
SATISFIED
CUSTOMERS
ALL OVER
THE UK**



GMG Limited

Eaton Works, Althorpe Street, Leamington Spa. CV31 2AU

Tel: +44 (0)1926 432030 Email: info@greasemanagement.co.uk
www.greasemanagement.co.uk