

First Choice
CATERING SPARES LTD



**WATER
TECHNOLOGY**

SEPTEMBER 2010



ONE STOP SHOP FOR CATERING EQUIPMENT SPARES



RELIABILITY BUILT IN

T&S EasyInstall™ Pre-Rinse Units

FIRST CHOICE CATERING SPARES LTD



RELIABILITY BUILT IN

T&S Brass was founded in 1947 with a commitment to quality and innovation. The company introduced the industry's first pre-rinse spray unit and ever since that time has set the standard for new products designed to solve real world problems while cutting down on installation time.

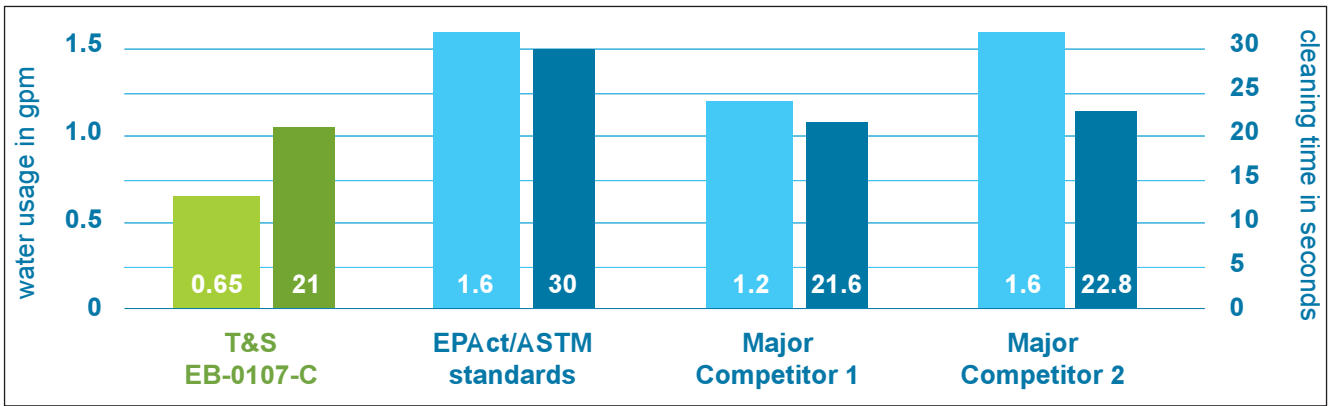
T&S products are manufactured to the highest standards in the industry and are certified by a wide variety of national and international organisations, such as WRAS, CSA, UL and NSF. The company is committed to the safety and reliability of its products and test every single product they manufacture.

First Choice Catering Spares Ltd maintains an extensive stock of T&S products available for next day delivery throughout the UK when ordered before 4.00pm.

WATER SAVING LOW FLOW

T&S understands how vital water conservation is today and leads the way in the foodservice industry with an extensive line of water and energy saving products that meet and exceed conservation requirements while not compromising performance.

All of the T&S pre-rinse spray units can be fitted with a low flow spray valve that uses just 2.46 litres of water per minute to provide the same effective rinsing action of conventional spray heads that use twice as much water. This can save your customer up to 500,000 litres of water a year



T&S low-flow spray valves (shown in green) exceed the USA federal standards in both water usage and cleaning time. You can save as much as 500,000 litres* of water per year!

T&S - Water Saving Innovator



In 1947 T&S introduced the first pre-rinse unit to the foodservice industry. Four decades later the company developed the first low-flow unit designed to save water and energy. T&S units were the first to be endorsed by the Green Restaurant Association of America. Today, T&S is taking pre-rinse innovation to the next level with the EB-0107-C spray valve. T&S have kept all of the superior construction that they have become legendary for, but the unit uses much less water than ever before while still cleaning just as fast.

High-performing Low-Flow

- A pre-rinse valve designed to beat the strictest of standards while still delivering powerful performance and a low, low flow rate of 2.46 litres per minute at 4 bar water pressure.
- Exceeds ASTM tomato paste test cleaning standard by FSTC.
- Fashioned from top-quality materials.
- Save up to 500,000 litres* of water every year compared to spray valves rated at 6 litres per minute.
- Universal fitting means it can replace the standard spray valve on many existing pre-rinse spray units.

*Assumptions: 7 hours/day, 365 days/year = 153,300 minutes

Save Water ... Save Time ... Save Money

T&S recognise that the last thing an installation engineer needs to deal with is a long, tedious installation of a pre-spray unit. That is why they created the Easyinstall™ "Pop-and-Lock" system, designed to cut installation time by 66%!

Pre-Assembled Parts

Easyinstall™ "Pop-and-Lock" Pre-Rinse Units are partially pre-assembled, making installation simple and fast. No more teflon tape, joint compound or awkward threading. No more extra washers, screws or little bags of hardware.

Anti-Rotation Washer System

Seated inside the faucet, the washer prevents the riser from rotating. Once installed, your Pre-Rinse Unit's riser will stay in place.

Sturdier Connection

The bushing's deep seat inside the faucet makes the connection stronger and sturdier. The variable rate spring provides added strength and stability. The redesigned wall bracket with set screws providing extra "biting" power, staying secured.

Three-Year Warranty

T&S Easyinstall™ Pre-Rinse Units come with a full 3-year parts only warranty





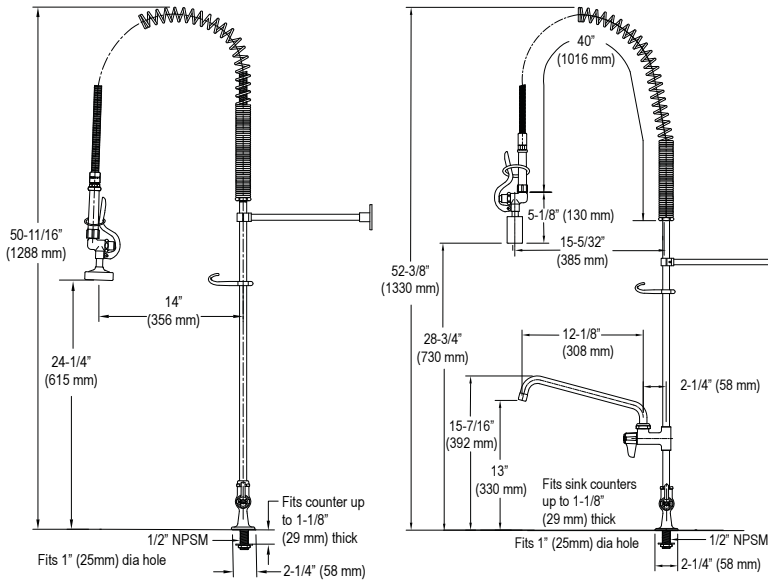
RELIABILITY BUILT IN

T&S EasyInstall™ Pre-Rinse Units

FIRST CHOICE CATERING SPARES LTD

UK-1DP00 and UK-1DP12

Easyinstall™ Pre-Rinse Unit, single hole deck mount for single water feed. With 12" (305mm) wall bracket.



UK-1DP00

UK-1DP12-L

Part No	Description	List Price
UK-1DP00	Single/standard spray head	£240.00
UK-1DP00-L	Single/low flow spray head	£240.00
UK-1DP12	Single/standard spray head/faucet	£290.00
UK-1DP12-L	Single/low flow spray head/faucet	£290.00



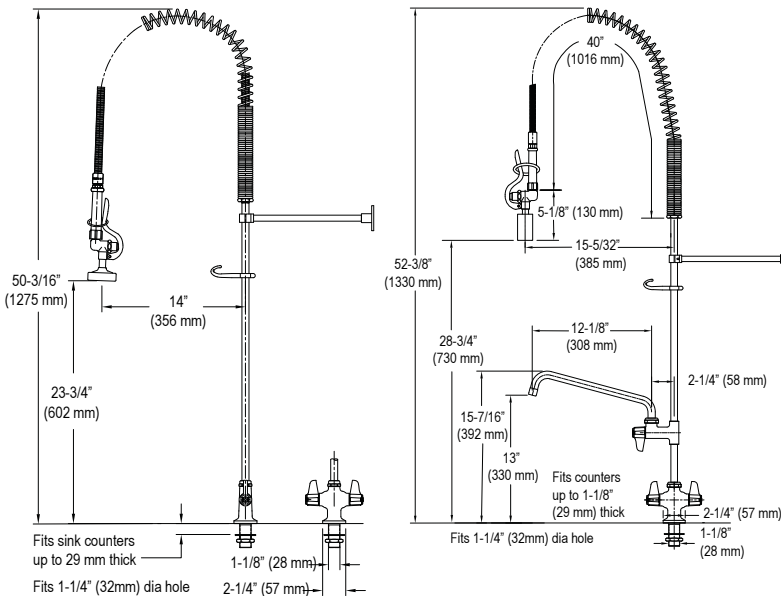
UK-1DP00

UK-1DP12



UK-2DP00 and UK-2DP12

Easyinstall™ Pre-Rinse Unit, single hole deck mount for hot/cold water feed. With 12" (305mm) wall bracket. With or without 12" (305mm) faucet.



UK-2DP00

UK-2DP12-L

Part No	Description	List Price
UK-2DP00	Mono twin feed/standard spray head	£260.00
UK-2DP00-L	Mono twin feed/low flow spray head	£260.00
UK-2DP12	Mono twin feed/standard spray head/faucet	£330.00
UK-2DP12-L	Mono twin feed/low flow spray head/faucet	£330.00



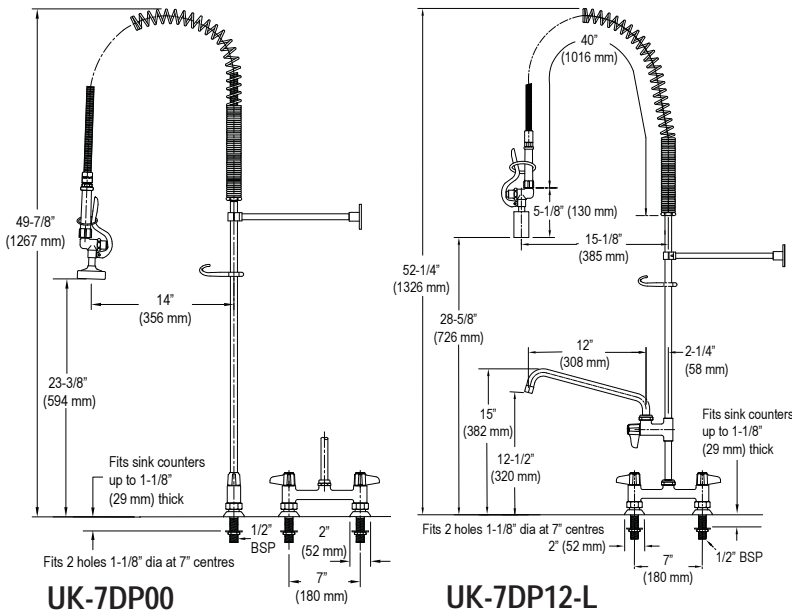
UK-2DP00

UK-2DP12



UK-7DP00 and UK-7DP12

Easyinstall™ Pre-Rinse Unit, twin hole deck mount for hot/cold water feed. With 12" (305mm) wall bracket. With or without 12" (305mm) faucet.



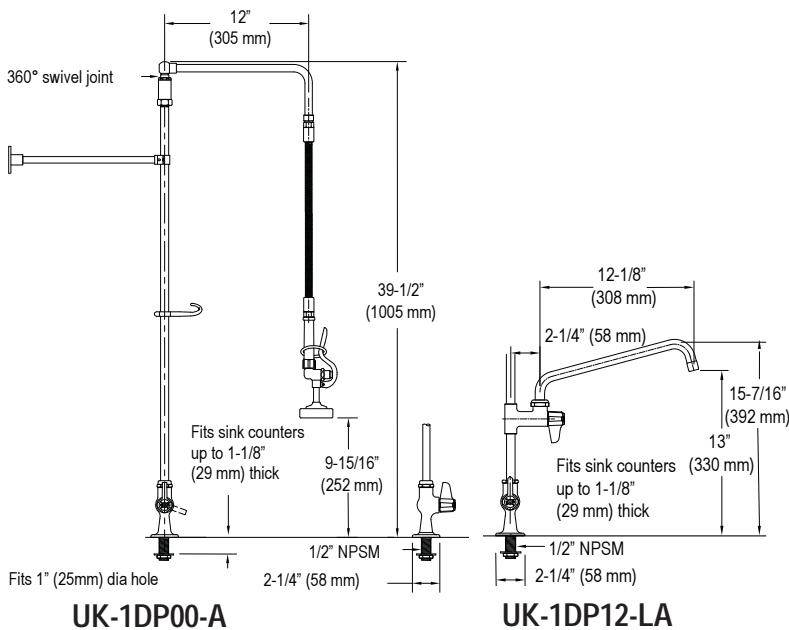
Part No	Description	List Price
UK-7DP00	Twin/standard spray head	£260.00
UK-7DP00-L	Twin/low flow spray head	£260.00
UK-7DP12	Twin/standard spray head/faucet	£340.00
UK-7DP12-L	Twin/low flow spray head/faucet	£340.00



WRAS
APPROVED PRODUCT

UK-1DP00-A and UK-1DP12-A

Easyinstall™ Pre-Rinse Unit, single hole deck mount for single water feed. With 12" (305mm) wall bracket. With or without 12" (305mm) faucet.



Part No	Description	List Price
UK-1DP00-A	Single/standard spray head	£321.45
UK-1DP00-LA	Single/low flow spray head	£321.45
UK-1DP12-A	Single/standard spray head/faucet	£372.17
UK-1DP12-LA	Single/low flow spray head/faucet	£372.17



WRAS
APPROVED PRODUCT



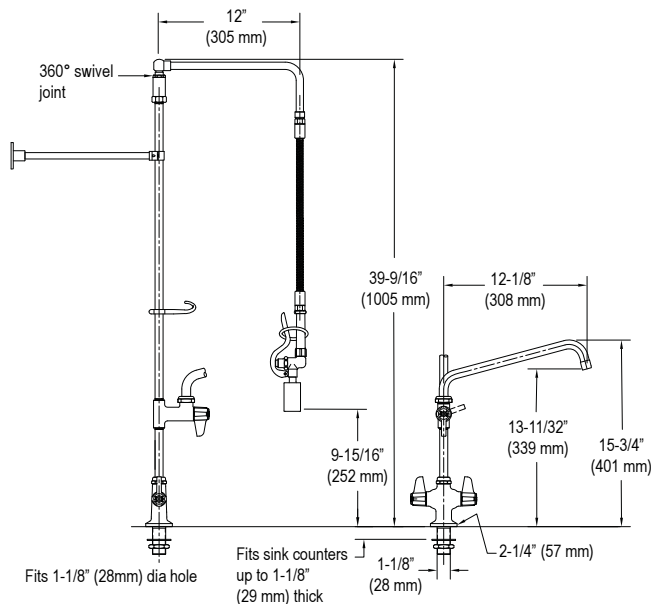
RELIABILITY BUILT IN

T&S EasyInstall™ Pre-Rinse Units

FIRST CHOICE CATERING SPARES LTD

UK-2DP00-A and UK-2DP12-A

Easyinstall™ Pre-Rinse Unit, single hole deck mount for hot/cold water feed. With 12" (305mm) wall bracket. With or without 12" (305mm) faucet.



UK-2DP12-LA

Part No	Description	List Price
UK-2DP00-A	Mono twin feed/standard spray head	£353.07
UK-2DP00-LA	Mono twin feed/low flow spray head	£353.07
UK-2DP12-A	Mono twin feed/standard spray head/faucet	£398.15
UK-2DP12-LA	Mono twin feed/low flow spray head/faucet	£398.15

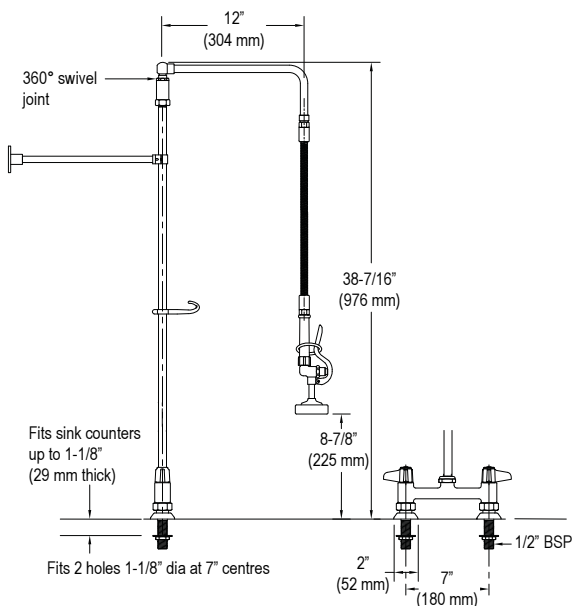


UK-2DP00-A



UK-7DP00-A and UK-7DP12-A

Easyinstall™ Pre-Rinse Unit, twin hole deck mount for hot/cold water feed. With 12" (305mm) wall bracket. With or without 12" (305mm) faucet.



UK-7DP00-A

UK-7DP12-A

Part No	Description	List Price
UK-7DP00-A	Twin/standard spray head	£402.81
UK-7DP00-LA	Twin/low flow spray head	£402.81
UK-7DP12-A	Twin/standard spray head/faucet	£476.66
UK-7DP12-LA	Twin/low flow spray head/faucet	£476.66



UK-7DP00-A



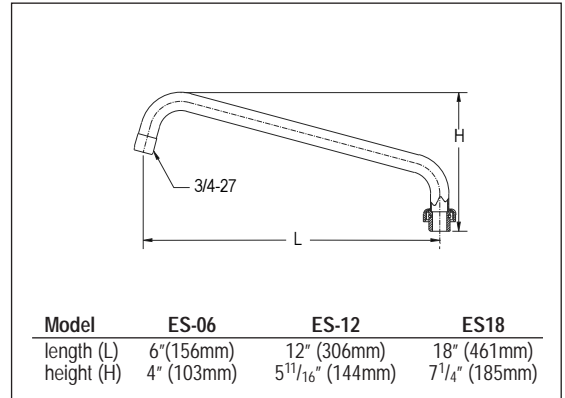


RELIABILITY BUILT IN

FIRST CHOICE CATERING SPARES LTD

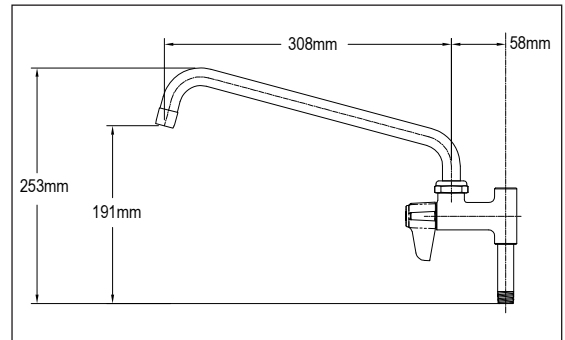
T&S Faucets for EasyInstall™ Pre-Rinse Units

Part No	Description	List Price
ES-06	6" (152mm) Swivel Spout for Faucet	£20.82
ES-12	12" (305mm) Swivel Spout for Faucet	£25.40
ES-18	18" (457mm) Swivel Spout for Faucet	£29.97



EU-AF12
12" (305mm)
add-on Faucet
for Pre-Rinse

£105.75

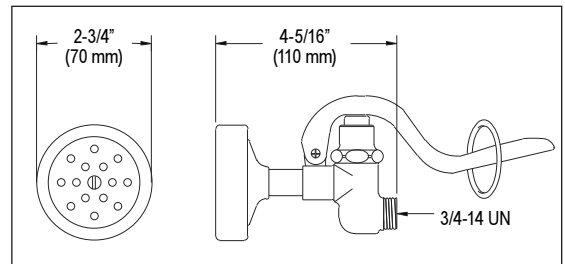


EU-WH4
4" (102mm) Wrist blade
handle
£29.53

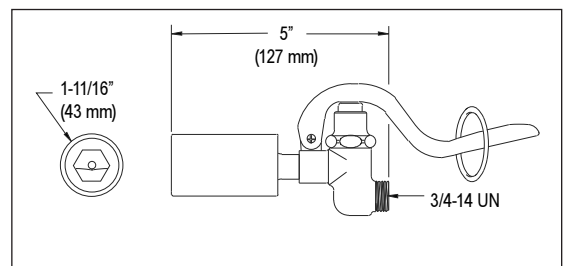


T&S Spray Guns for EasyInstall™ Pre-Rinse Units

Part No	Description	List Price
UK-0107	Standard spray gun 5.375 litres/minute	£89.30



EB-0107-C	Low Flow spray gun 2.460 litres/minute	£89.30
-----------	--	--------

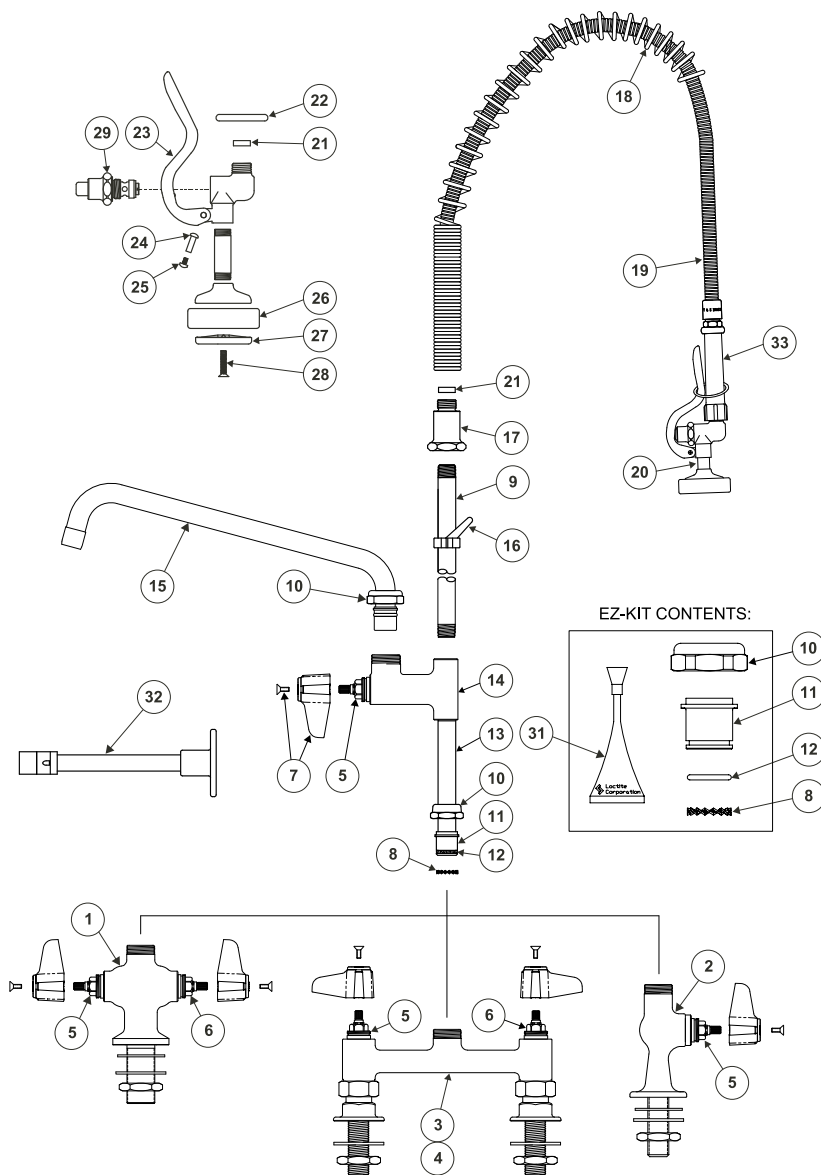




RELIABILITY BUILT IN

T&S EasyInstall™ Pre-Rinse Units

FIRST CHOICE CATERING SPARES LTD



Item	Part No	Description
Faucet Body Assembly		
1	014674-40	Mono Deck Mount Faucet
2	014654-40	Single Inlet Faucet Body
3	014648-40	Twin Deck Mount Faucet (152mm)
4	014650-40	Twin Deck Mount Faucet (180mm)
5	013787-45	Spindle Assembly - Hot
6	013788-45	Spindle Assembly - Cold
7	E-HDL-L	Tap Handle c/w Blue/Red Screws
8	014200-45	Lock Washer*
Riser Assembly		
9	000369-40	Riser 3/8" x 457mm
	014610-40	Riser 3/8" x 533mm
	000372-40	Riser 3/8" x 610mm
	000374-40	Riser 3/8" x 711mm
10	013839-25	Swivel Nut*
11	013957-25	Bushing*
12	001062-45	O-Ring*
13	000358-40	Nipple 3/8" x 76mm
	000361-40	Nipple 3/8" x 127mm
14	EU-AF00	Add-On Faucet
15	ES-06	Swing Nozzle 152mm
	ES-12	Swing Nozzle 305mm
	ES-18	Swing Nozzle 457mm

Item	Part No	Description
16	014069-40	Finger Hook Assembly c/w Screw
32	B-0109-03	Wall Bracket 305 mm
Pre-Rinse Unit		
17	000821-40	Spring Holder
18	010294-45	Overhead Spring
19	EB-0020-H	508mm Flexible SS Hose**
	EB-0120-CMH	1200mm Flexible SS Hose**
	UK-0040-H	1016 mm Flexible SS Hose**
20	UK-0107	Standard Spray Valve
	EB-0107-C	Low Flow Spray Valve
33	011482-40	Handle for Spray Valve
Spray Valve Assembly		
21	010476-45	Washer
22	000907-45	Hold Down Ring
23	011454-45	Squeeze Valve Handle
24	000973-45	Nut for Handle
25	003199-45	Screw for Handle
26	011475-45	Ring for Sprayhead
27	011456-45	Sprayface
28	000913-45	Screw for Sprayface
29	002856-40	Bonnet Assembly
31	010588-45	Loctite*

* Included in EZ-KIT Parts Kit. ** Other hose lengths on request



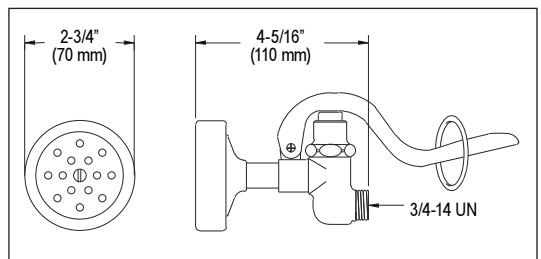
T&S - Highest Quality Hose Reels

All T&S Retractable Hose Reels are engineered to withstand the most rigorous clean-up demands in any setting. They feature rugged components and precision fittings for even longer service life.

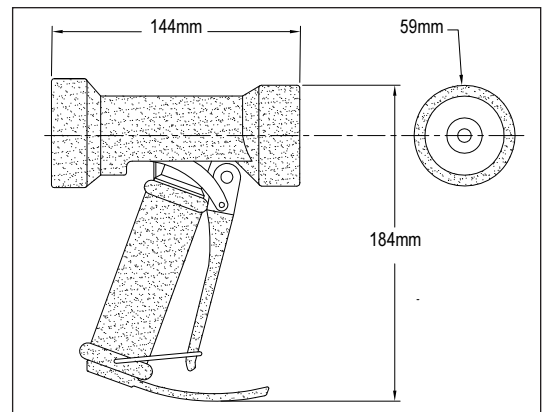
- Heavy duty gauge steel housings
- Anti-lock ratchet design
- Blue non-marking hose rated at up to 250°F and 300PSI.
- Open and enclosed models
- Epoxy coated steel or stainless steel finish
- Brass swivel and stainless steel shaft
- Impact resistant ratchet assembly with eight catch points
- Two part construction for simplified installation/orientation
- Available in a variety of hose lengths and styles
- Available fitted with a choice of Spray Valve or Front Trigger Water Gun
Model number of Hose Reels ends in -01 if fitted with Spray Gun EB-0107
Model number of Hose Reels ends in -05 if fitted with Front Trigger Water Gun MV-2522-24



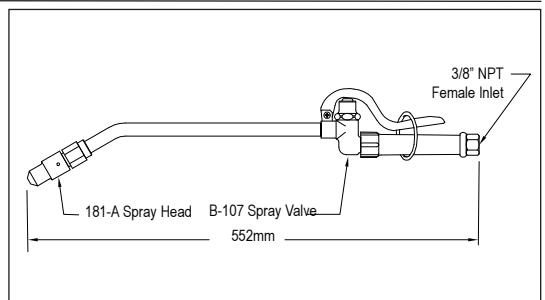
Part No	Description	List Price
EB-0107	Spray Gun for Hose Reels	£89.30



MV-2522-24	Front Trigger Water Gun	£206.39
------------	-------------------------	---------



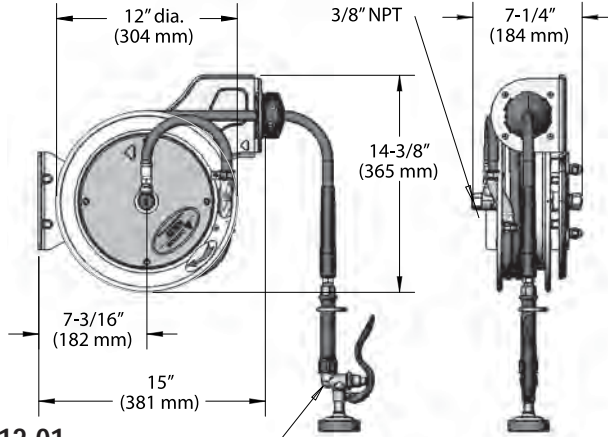
EB-2322	Spray Valve Extension Unit	£185.14
---------	----------------------------	---------





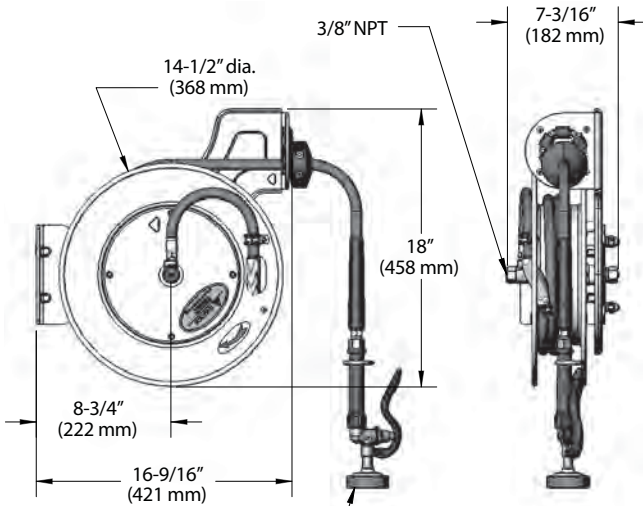
B-7112, B7132 and B7142

Open stainless steel hose reel with either 15ft, 35ft or 50ft of 3/8" ID hose. Models with PN ending -01 supplied with spray valve EB-0107. Models with PN ending -05 supplied with front trigger gun MV-2522-24.



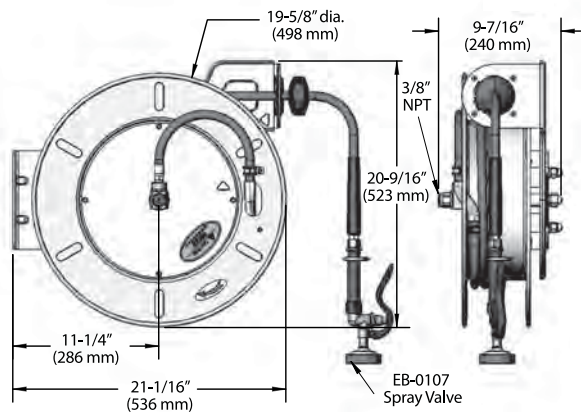
B7112-01

EB-0107



B7132-01

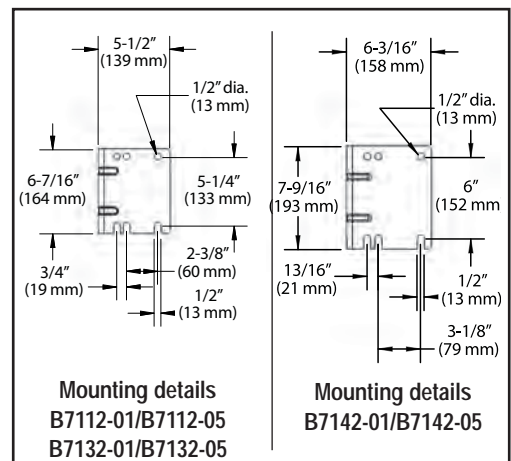
EB-0107 Spray Valve



B7142-01

EB-0107 Spray Valve

Part No	Description	List Price
B-7112-01	15ft hose with EB-0107 spray valve	£1188.54
B-7112-05	15ft hose with MV-2522-24 front trigger gun	£1289.21
B-7132-01	35ft hose with EB-0107 spray valve	£1499.37
B-7132-05	35ft hose with MV-2522-24 front trigger gun	£1570.64
B-7142-01	50ft hose with EB-0107 spray valve	£1798.43

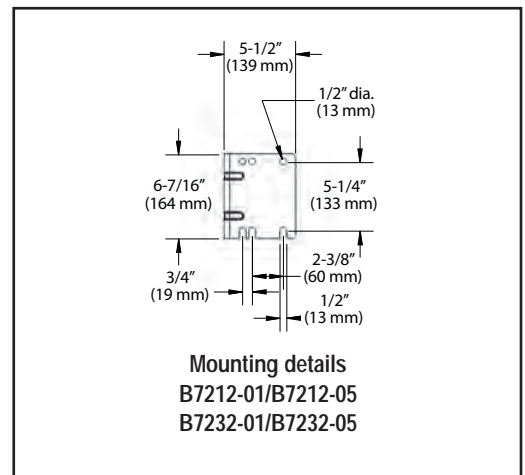
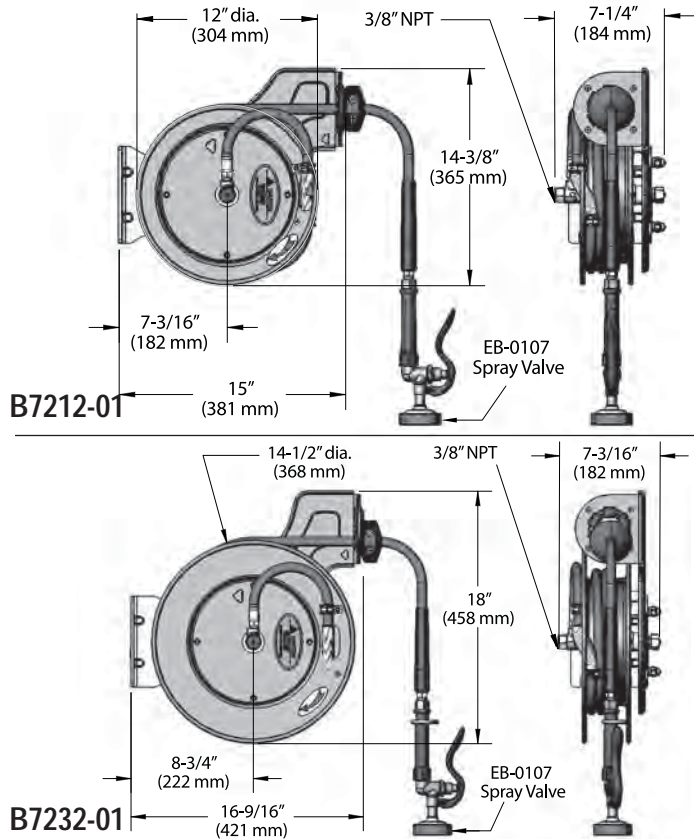


Mounting details
B7112-01/B7112-05
B7132-01/B7132-05

Mounting details
B7142-01/B7142-05

B-7212 and B7232

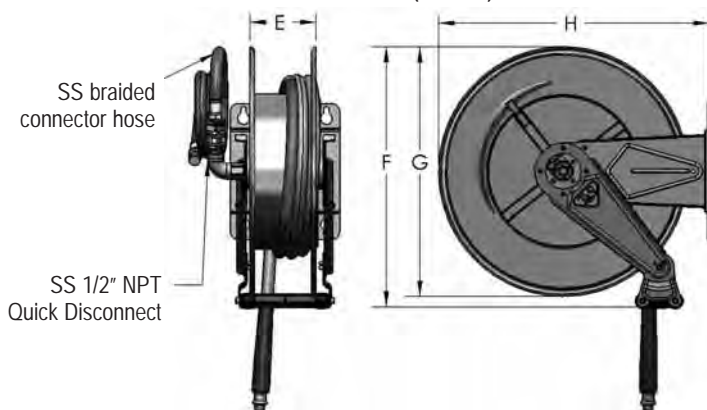
Open epoxy coated hose reel with either 15ft or 35ft of 3/8" ID hose.
 Models with PN ending -01 supplied with spray valve EB-0107.
 Models with PN ending -05 supplied with front trigger gun MV-2522-24.



Part No	Description	List Price
B-7212-01	15ft hose with EB-0107 spray valve	£828.61
B-7212-05	15ft hose with MV-2522-24 front trigger gun	£899.99
B-7232-01	35ft hose with EB-0107 spray valve	£1078.93
B-7232-05	35ft hose with MV-2522-24 front trigger gun	£1276.12

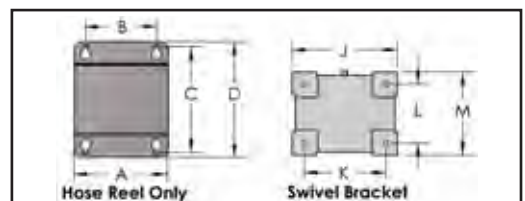
ESA Hose Reels

Stainless steel dual arm open hose reel with 10m to 30m of 1/2" ID hose.
 With braided stainless steel connector hose, stainless steel quick release disconnect and swivel bracket. 1450PSI (10MPa).



Part No	Length	E	F	G	H	List Price
ESA-4L33-S	10m	114	460	419	460	£1164.75
ESA-4L50-S	15m	114	460	419	460	£1247.26
ESA-4L65-S	20m	114	549	508	559	£1698.60
ESA-4L82-S	30m	191	551	511	574	£1844.19

All dimensions in mm



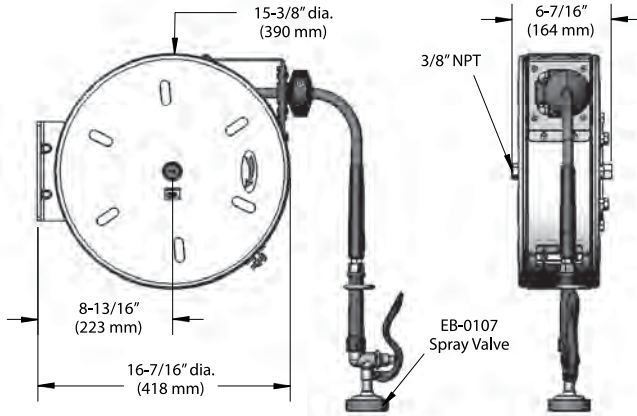
	A	B	C	H	J	K	L	M
ESA-4L33-S	182.5	137.5	192.5	452.5	205	157.5	115	162.5
ESA-4L50-S	182.5	137.5	192.5	452.5	205	157.5	115	162.5
ESA-4L65-S	200	150	215	550	205	157.5	115	162.5
ESA-4L82-S	295	215	222.5	565	295	212.5	222.5	262.5

All dimensions in mm

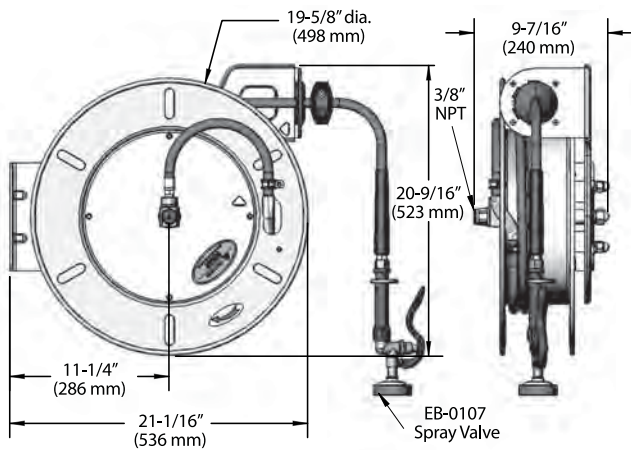


B-7122-C, B7142-C and B-7222-C

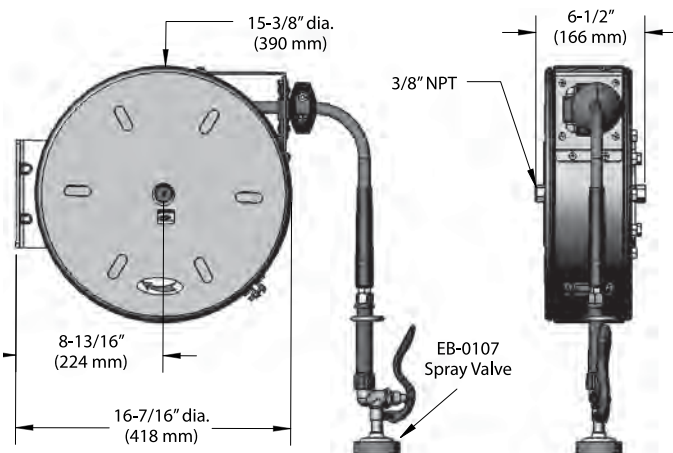
Enclosed hose reel with either 30ft or 50ft of 3/8" ID hose. Models B7122-C and B7142-C are in stainless steel. Model B7222 is epoxy coated. Models with PN ending -01 supplied with spray valve EB-0107. Models with PN ending -05 supplied with front trigger gun MV-2522-24.



B7122-C01



B7142-C01



B7222-C01

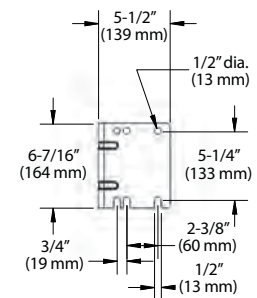
Part No	Description	List Price
B-7122-C01	SS with 30ft hose with EB-0107 spray valve	£1637.51
B-7122-C05	SS with 30ft hose with MV-2522-24 gun	£1709.03
B-7142-C01	SS with 50ft hose with EB-0107 spray valve	£1964.76
B-7142-C05	SS with 50ft hose with MV-2522-24 gun	£2036.44
B-7222-C01	Epoxy with 30ft hose with EB-0107 spray valve	£1403.32
B-7222-C05	Epoxy with 30ft hose with MV-2522-24 gun	£1474.59



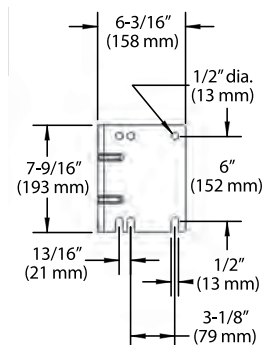
B-7122-C01



B-7222-C01



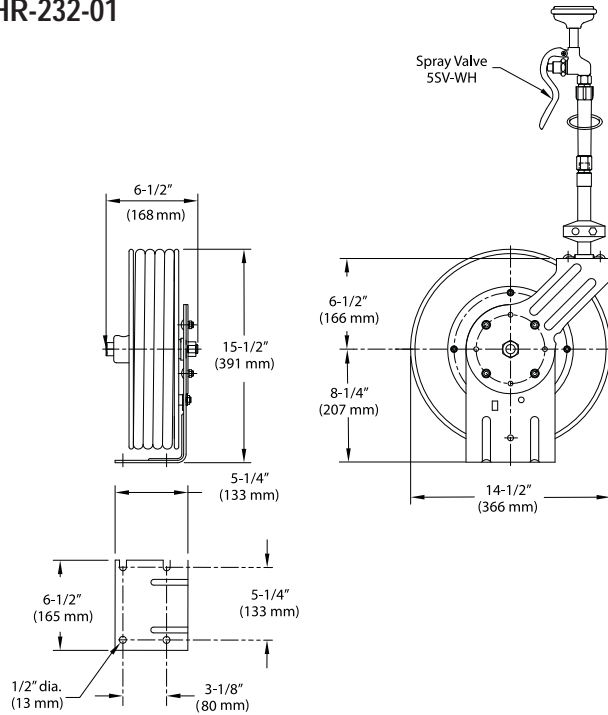
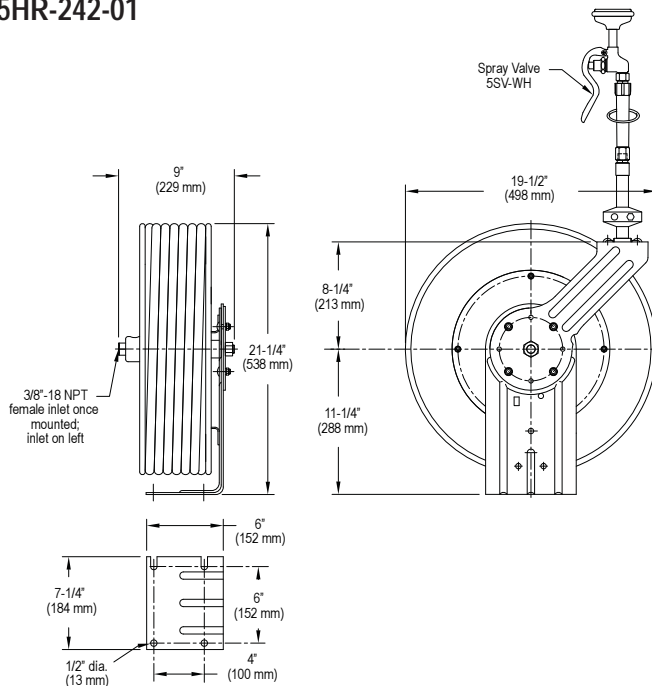
**Mounting details
B-7122-C01/B-7122-C05/B-7222-C01/B-7222-C05**



**Mounting details
B-7142-C01/B-7142-C05**

5HR-232 and 5HR242

Open hose reel with heavy duty black epoxy coated steel finish. Black rubber hose in either 35ft or 50ft lengths rated at 176°F at 300PSI. Adjustable hose stop, heavy duty brass swivel and guide arm has 4 position orientation. Models with PN ending -01 supplied with spray valve 5SV-H. Models with PN ending -09 supplied with front trigger gun 5WG-1000-01.

5HR-232-01

5HR-242-01


Part No	Description	List Price
5HR-232-01	35ft black hose with 5SV-H spray valve	£551.21
5HR-232-09	35ft black hose with 5WG-1000-01 gun	£522.60
5HR-242-01	50ft black hose with 5SV-H spray valve	£631.94
5HR-242-09	50ft black hose with 5WG-1000-01 gun	£603.33


5SV-H

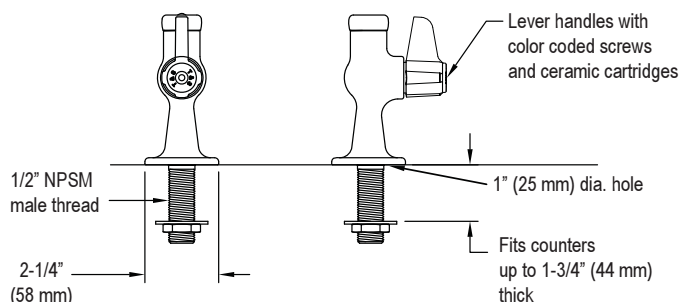
Spray valve fitted to models ending in -01


5WG-1000-01

Front trigger water gun fitted to models ending in -09

UK-1DF00, UK-1DF06, UK-1DF12 and UK-1DF18

Single feed deck mounted faucet for hot or cold water. 1/4 turn ceramic disc headwork. Aerator incorporated in spout which comes in a choice of sizes.



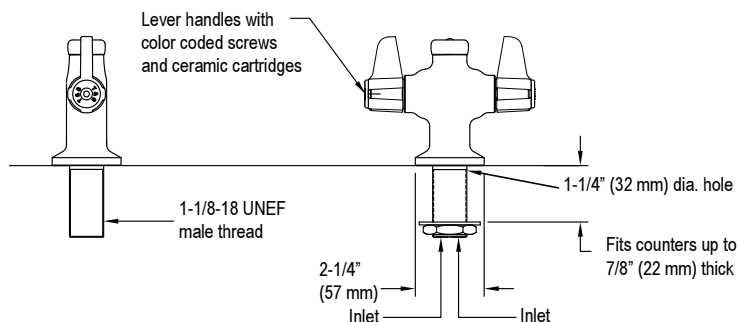
Part No	Description	List Price
UK-1DF00	Single faucet body (no spout supplied)	£97.45
UK-1DF06	Single faucet body with 152mm spout	£118.28
UK-1DF12	Single faucet body with 305mm spout	£122.83
UK-1DF18	Single faucet body with 457mm spout	£127.42



UK-1DF12

UK-2DF00, UK-2DF06, UK-2DF12 and UK-2DF18

Mono deck mounted faucet for hot and cold water feeds. 1/4 turn ceramic disc headwork. Aerator incorporated in spout which comes in a choice of sizes.



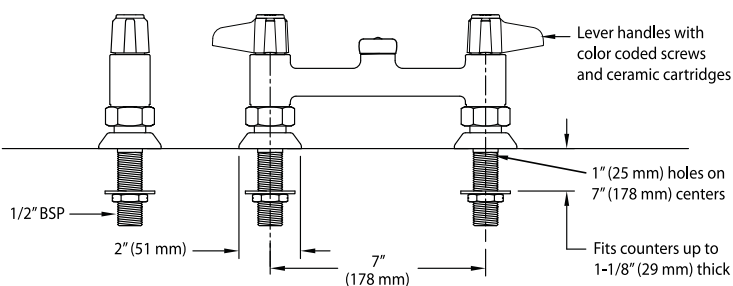
Part No	Description	List Price
UK-2DF00	Mono faucet body (no spout supplied)	£99.46
UK-2DF06	Mono faucet body with 152mm spout	£120.27
UK-2DF12	Mono faucet body with 305mm spout	£124.83
UK-2DF18	Mono faucet body with 457mm spout	£129.42



UK-2DF12

UK-7DF00, UK-7DF06, UK-7DF12 and UK-7DF18

Twin deck mounted faucet for hot and cold water feeds. 1/4 turn ceramic disc headwork. Aerator incorporated in spout which comes in a choice of sizes. Both inlets are fitted with single check valve cartridges suitable for backflow protection against Fluid Category 2.



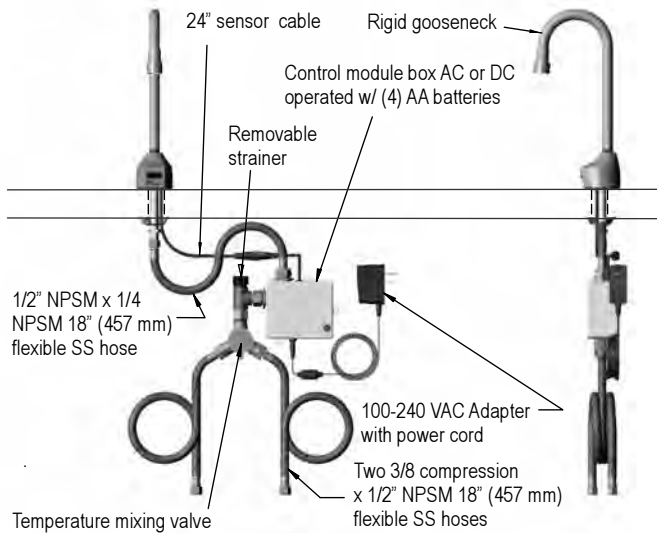
Part No	Description	List Price
UK-7DF00	Twin faucet body (no spout supplied)	£149.12
UK-7DF06	Twin faucet body with 152mm spout	£169.95
UK-7DF12	Twin faucet body with 305mm spout	£174.59
UK-7DF18	Twin faucet body with 457mm spout	£179.10



UK-7DF12

UK-3100 and UK-3101

Hands free washing reduces water usage and the risk of contamination. AC/DC control module supplied (100-240VAC mains supply or 4 AA batteries). Optional EC-HYDROGEN hydro generator uses the water flow to power the system. Rigid gooseneck spout. Choice of deck or wall mounted designs.



Part No	Description	List Price
UK-3100	Deck mount Chekpoint gooseneck faucet	£323.37
UK-3100-HG	Deck mount Chekpoint gooseneck faucet with hydro generator	£407.41
UK-3101	Wall mount Chekpoint gooseneck faucet	£344.32
UK-3101-HG	Wall mount Chekpoint gooseneck faucet with hydro generator	£428.35

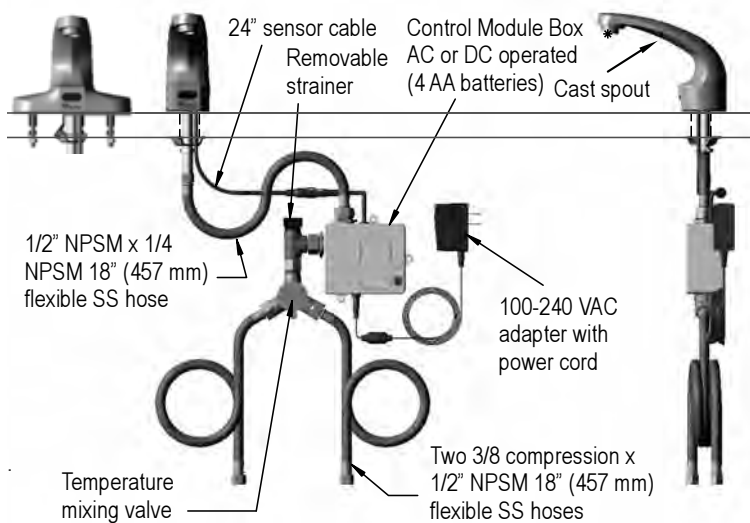

UK-3100

UK-3101

UK-3102

UK-3103
UK-3102 and UK-3103

Hands free washing reduces water usage and the risk of contamination. AC/DC control module supplied (100-240VAC mains supply or 4 AA batteries). Optional EC-HYDROGEN hydro generator uses the water flow to power the system. Cast spout. Choice of single hole/twin screw deck fixing.



Part No	Description	List Price
UK-3102	Single deck Chekpoint cast spout faucet	£306.26
UK-3102-HG	Single deck Chekpoint cast faucet with hydro generator	£390.29
UK-3103	2 screw deck Chekpoint cast spout faucet	£408.38
UK-3103-HG	2 screw deck Chekpoint cast spout faucet with hydro generator	£525.67


EC-HYDROGEN

With 1.2 NPSM inlet/outlet threads. Supplied with 1/2 NPSM swivel coupling and 1800mm lead with plug for connection to the control box.



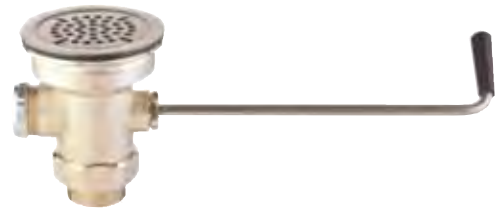
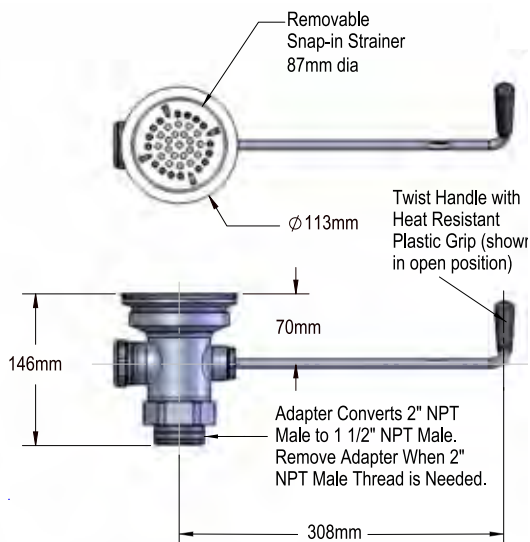
RELIABILITY BUILT IN

T&S Drain Valves

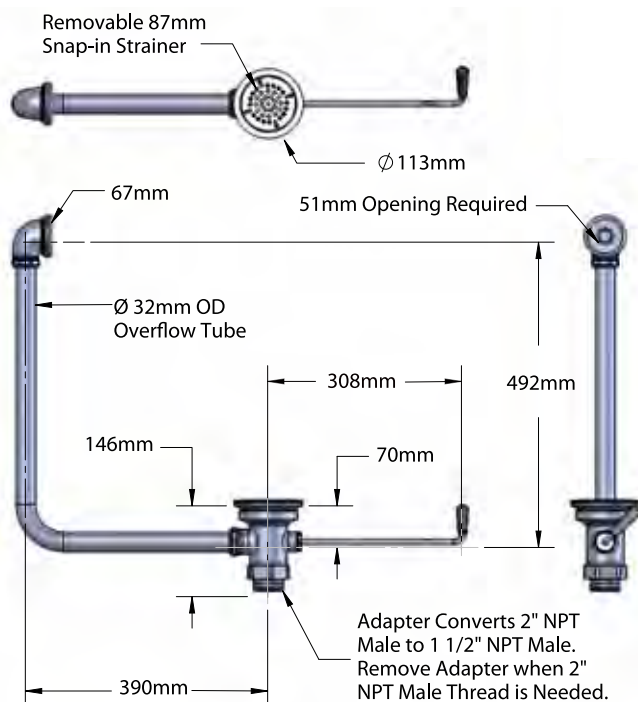
FIRST CHOICE CATERING SPARES LTD

B-3950

Twist action waste valve with overflow outlet and cap for 3 1/2" (88mm) sink opening. Valves ending -01 are supplied complete with overflow assembly. Models are available with a conversion Adaptor that reduces a 2" drain outlet to a 1 1/2" (38mm) outlet.



B-3950-01



Item	Part No	Description
1	010389-45	O-Ring, Plunger
2	010390-45	Ferrule, Coupling Nut
3	010391-45	Nut, Coupling For Twist Drain
4	010382-45	Gasket for 3 1/2 Face Flange
5	010384-45	3 1/2 Face Flange
6	010386-45	3 1/2 Snap-in Strainer
7	010388-45	Plunger, Twist Drain
8	010393-45	Handle Assembly
9	011355-45	Tube, Overflow Elbow
10	011356-45	Head Asm, Overflow Tube

Part No	Description	List Price
B-3950	Twist action drain fitting	£64.98
B-3950-BSP	Twist action drain fitting with BSP Adaptor	£69.99
B-3950-01	Twist action drain fitting with overflow	£101.15
B-3950-01-BSP	Twist action drain fitting with overflow and BSP Adaptor	£104.21

FIRST CHOICE CATERING SPARES LTD

Unit 1 Swaffield Park, Hyssop Close, Hawks Green, Cannock, Staffs WS11 7FU

Tel: 01543 577778 Fax: 01543 504141 Email: enquiries@firstchoice-cs.co.uk Web: www.firstchoice-cs.co.uk